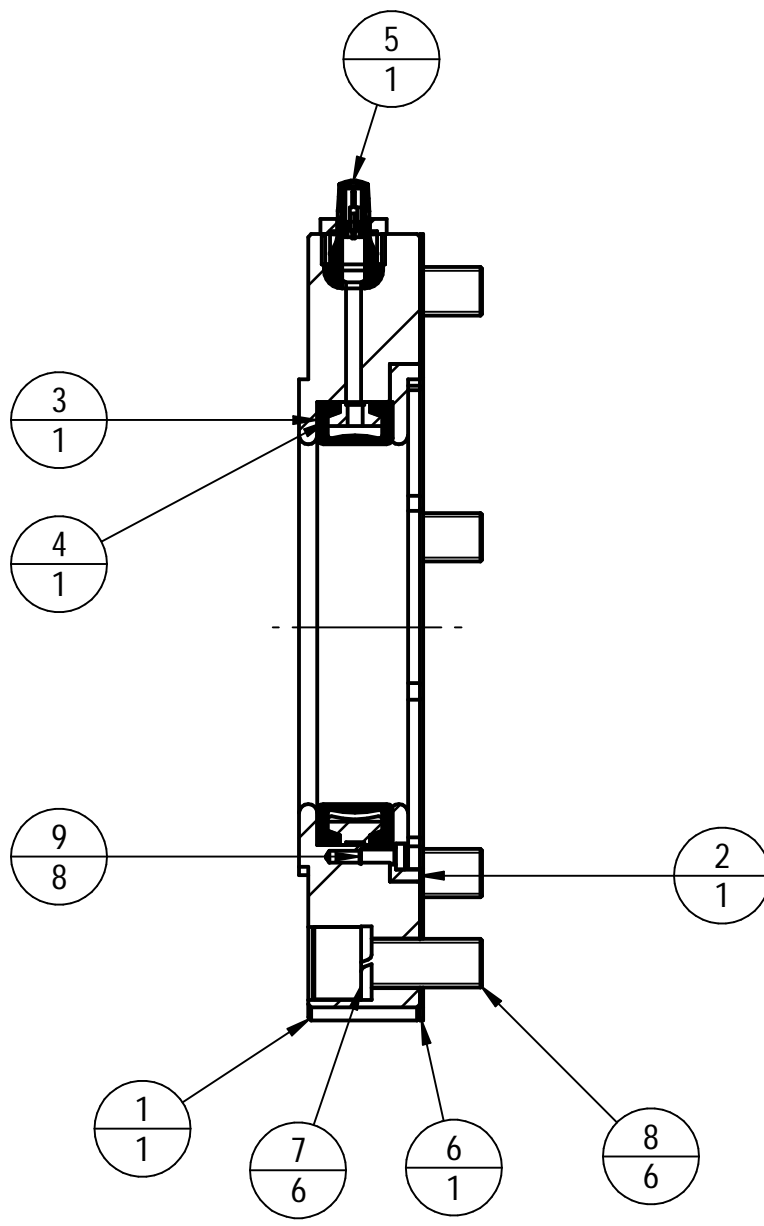
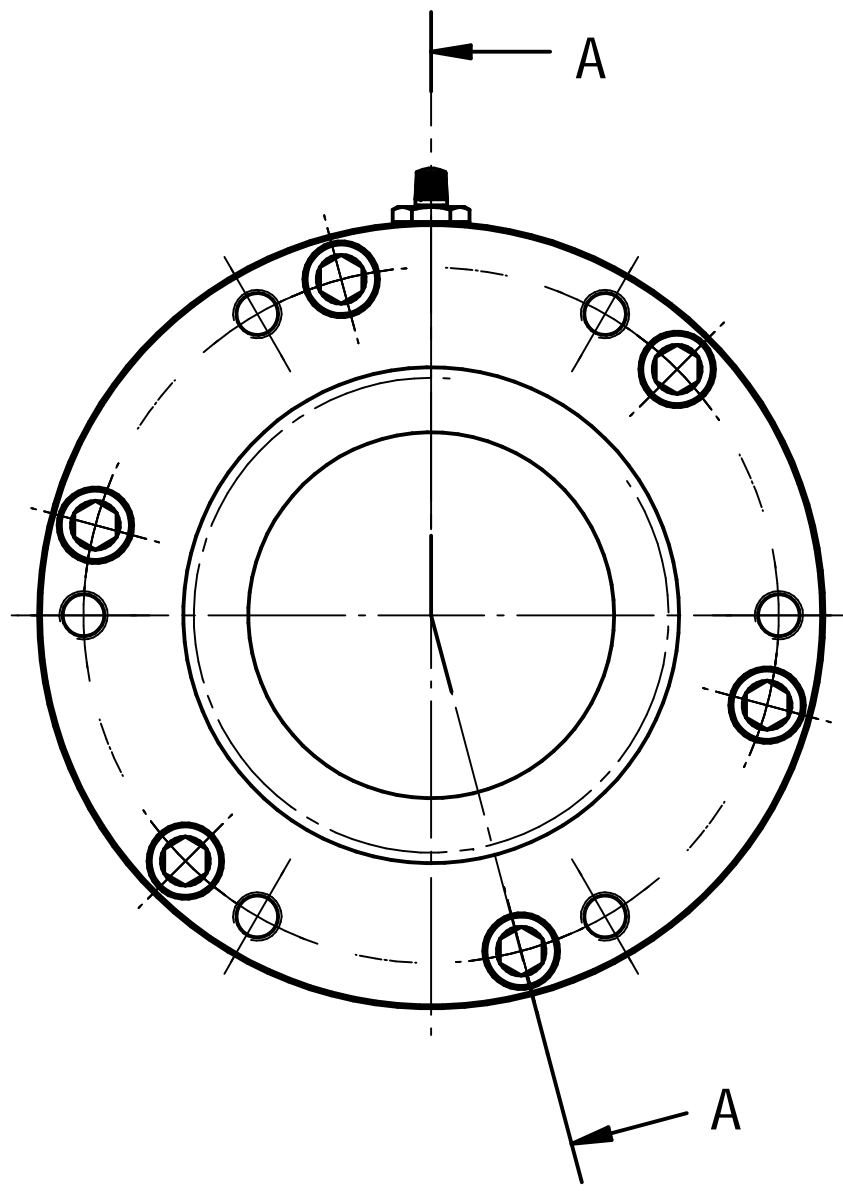
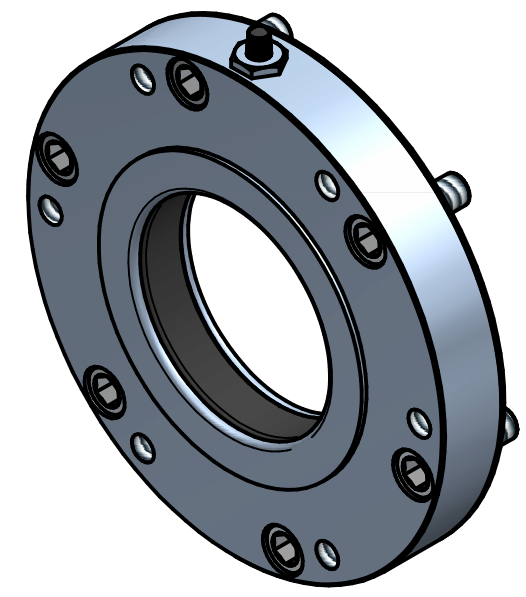



Rev	Description	Date
A	Material gasket PTFE was Tesnit BA-U	19-8-2021



SECTION A-A



Item Nr	Drawing Nr	Product code	Title	Material	Qty.	Mass
1		621.1-110	Housing	Stainless Steel, 316	1	9.443 kg
2		621.2-110	Coverplate	Stainless Steel, 316	1	0.644 kg
3		621.3-110	Rubberpart	NBR	1	0.074 kg
4		621.4-110	Lanternring	Stainless Steel, 316	1	0.375 kg
5		621.5-0.5	Valve TR 412		1	0.031 kg
6		614.1-110	Flange gasket	PTFE	1	0.065 kg
7		DIN7980_M16-A4	Spring lock washer	Stainless Steel, A4	6	0.043 kg
8		DIN912 M16x40-A4	Hexagon Socket Head Cap screw	Stainless Steel, A4	6	0.629 kg
9		DIN7984 M5x12-A4	Hexagon Socket Head Cap screw with low head	Stainless Steel, A4	8	0.026 kg

Date drawn: 29-1-2014	Not specified tolerances according to ISO2768	This is copyright of AMARTECH and this should not be used, reproduced or modified in any way without prior written permission. © All rights reserved
Date checked: 19-8-2021	Dimensions: mm	
Drawn: Danny	Product code: 621-110	
 Propulsion System Engineers +31(0)184616400 www.amartech.nl	Title: StandbySeal	
	Drawing nr.: 621-110	
Order nr.:		Rev.: A