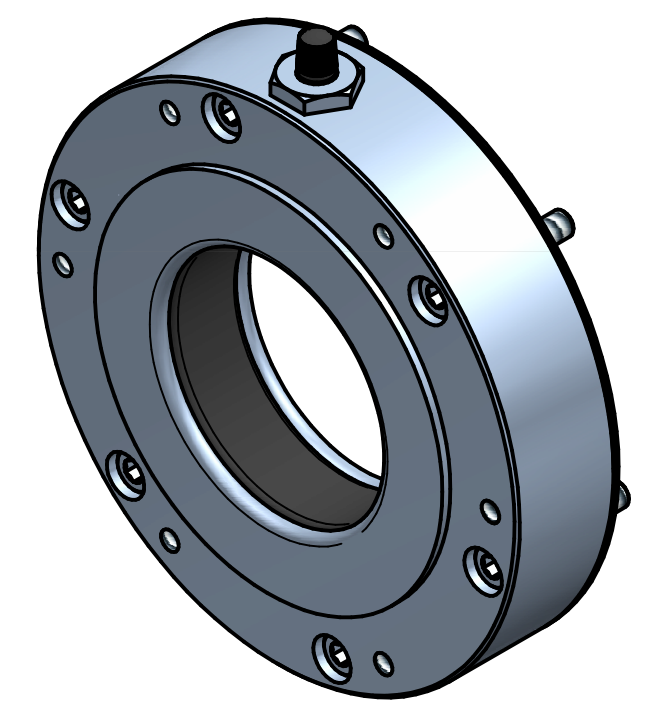
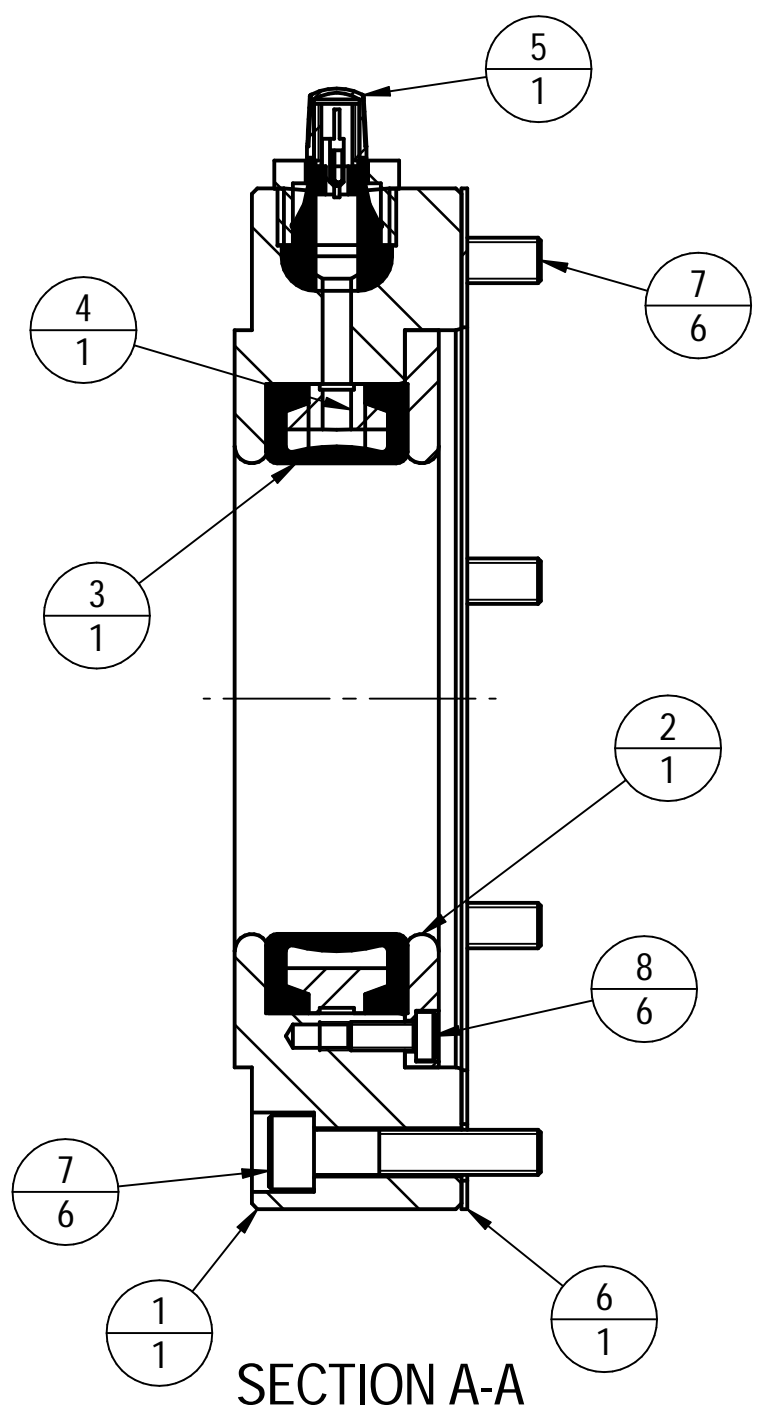
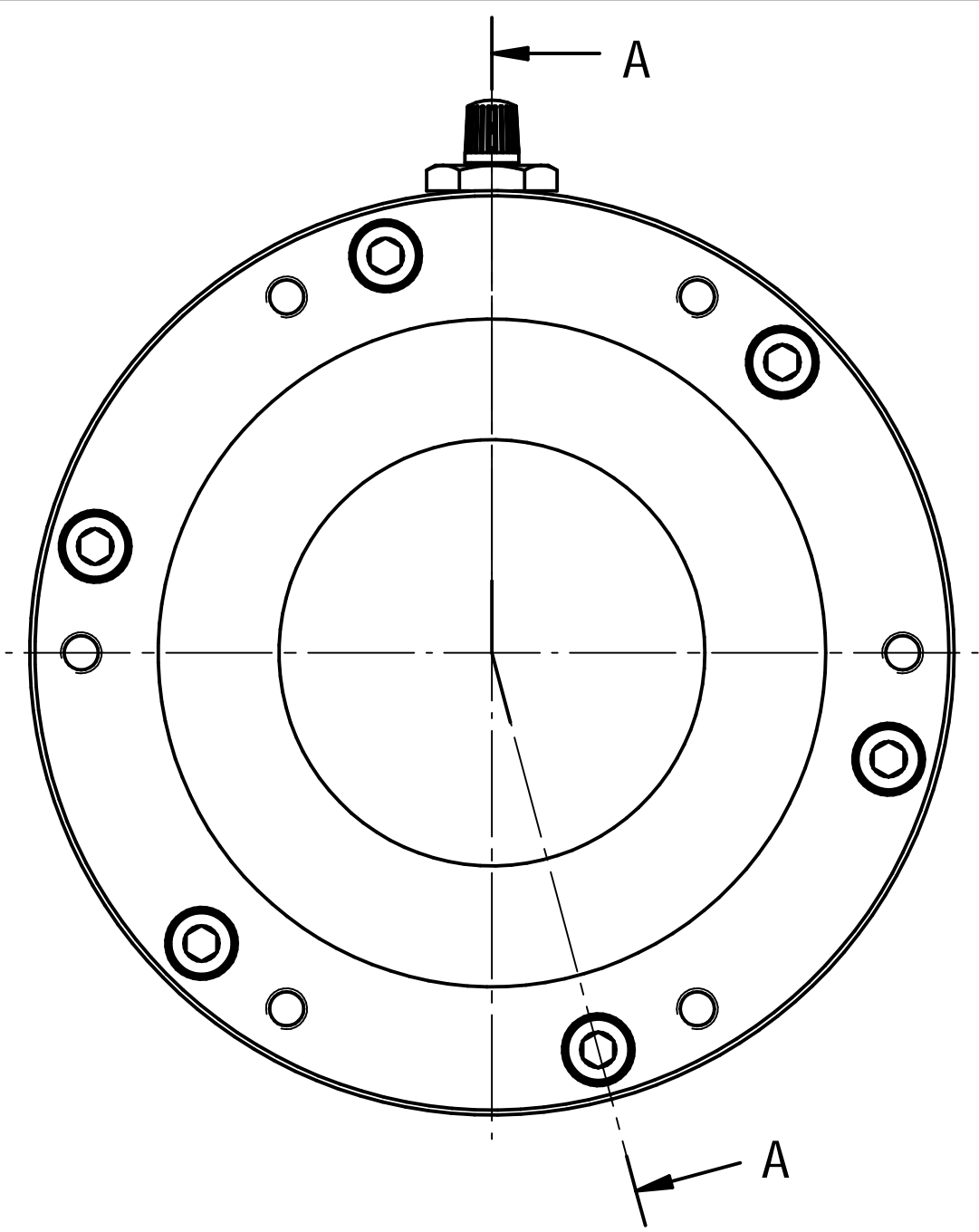



| Rev | Description | Date |
|-----|--------------------------------------|-----------|
| A | Material gasket PTFE was Tesnit BA-U | 19-8-2021 |



| Item Nr | Drawing Nr | Product code | Title | Material | Qty. | Mass |
|---------|------------|------------------|---|----------------------|------|----------|
| 1 | | 621.1-070 | Housing | Stainless Steel, 316 | 1 | 4.434 kg |
| 2 | | 621.2-070 | Coverplate | Stainless Steel, 316 | 1 | 0.356 kg |
| 3 | | 621.3-070 | Rubberpart | NBR | 1 | 0.053 kg |
| 4 | | 621.4-070 | Lanternring | Stainless Steel, 316 | 1 | 0.272 kg |
| 5 | | 621.5-0.5 | Valve TR 412 | | 1 | 0.031 kg |
| 6 | | 614.1-070 | Flange gasket | PTFE | 1 | 0.025 kg |
| 7 | | DIN912 M8x40-A4 | Hexagon Socket Head Cap screw | Stainless Steel, A4 | 6 | 0.140 kg |
| 8 | | DIN7984 M5x12-A4 | Hexagon Socket Head Cap screw with low head | Stainless Steel, A4 | 6 | 0.020 kg |

| | | |
|--|---|--|
| Date drawn: 29-1-2014 | Not specified tolerances according to ISO2768 | This is copyright of AMARTECH and this should not be used, reproduced or modified in any way without prior written permission. © All rights reserved |
| Date checked: 19-8-2021 | Dimensions: mm | |
| Drawn: Danny | Product code: 621-070 | |
|  Propulsion System Engineers +31(0)184616400 www.amartech.nl | Title: StandbySeal | |
| | Drawing nr.: 621-070 | |
| Order nr.: | | Rev.: A |