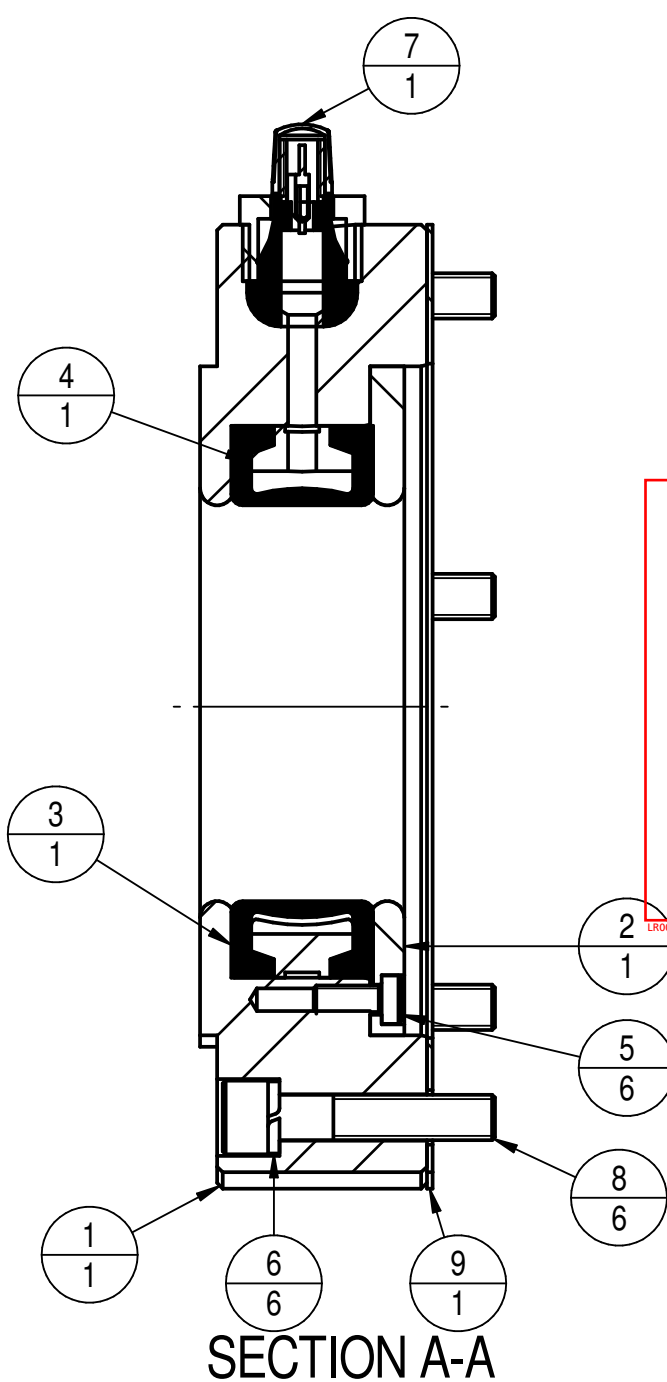
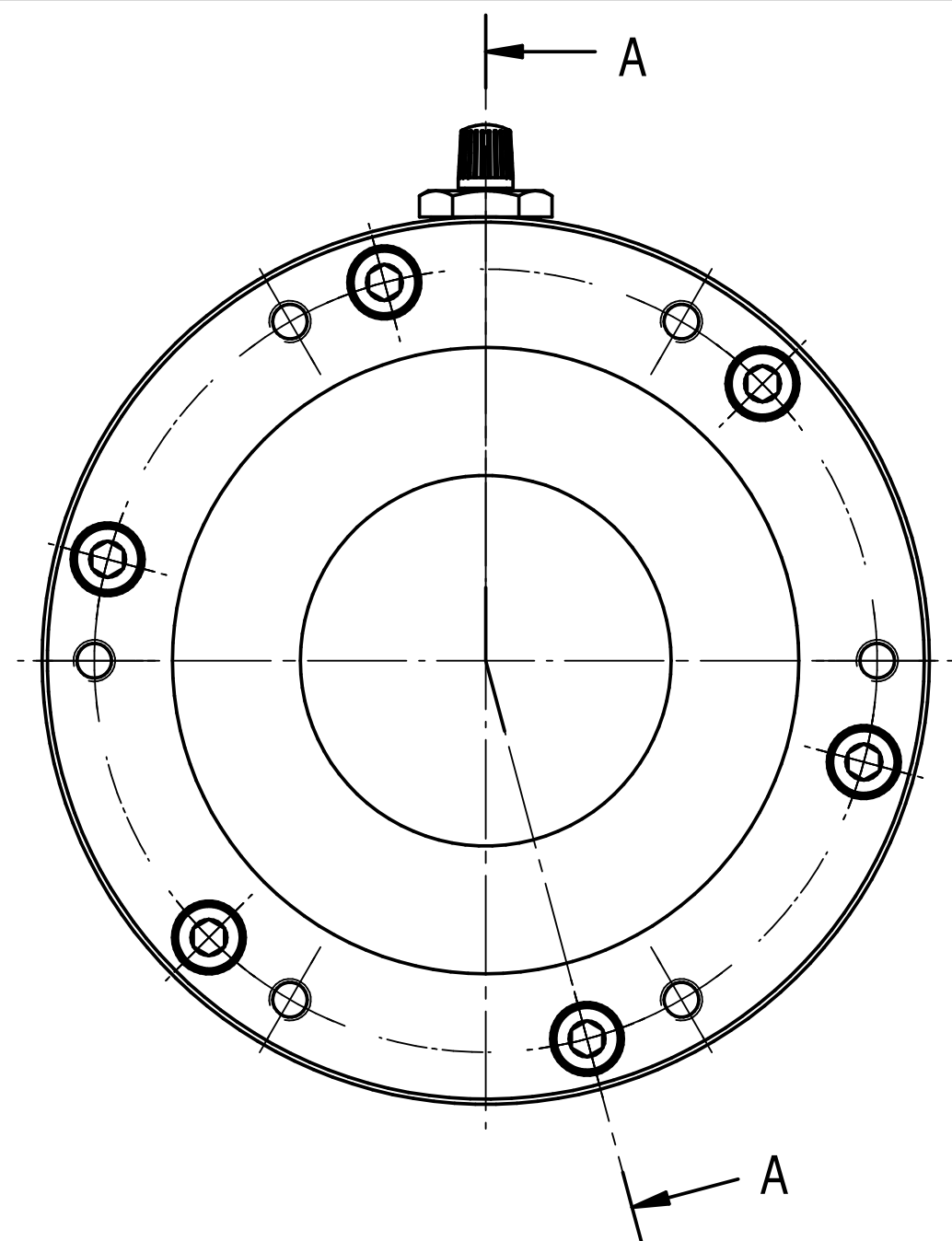



Rev	Description	Date



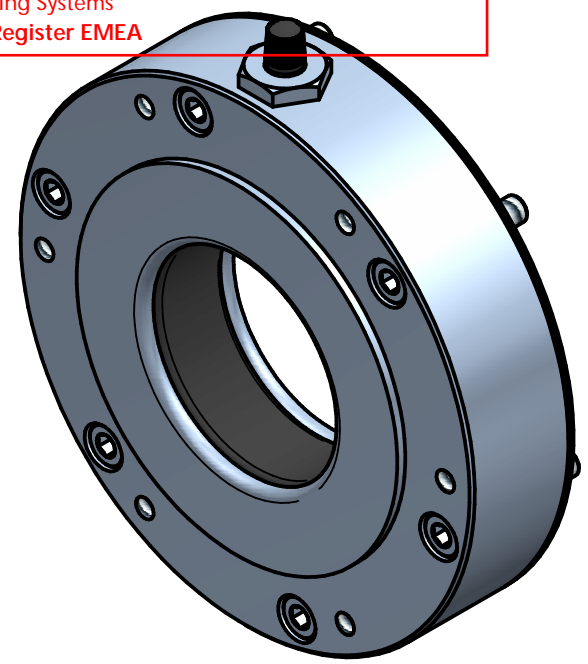
EXAMINED

 Lloyd's Register


This plan has been examined and given the status as shown in the Design Appraisal Document (DAD) number below:
RTS-ENG-201357

Date: 08 May 2020 Initials: LDG

Marine and Offshore
 Rotterdam Office
 Engineering Systems
 Lloyd's Register EMEA



Item Nr	Drawing Nr	Product code	Title	Material	Qty.	Mass
1		621.1-060	Housing	Stainless Steel, 316	1	4.182 kg
2		621.2-060	Coverplate	Stainless Steel, 316	1	0.332 kg
3		621.3-060	Rubberpart	NBR	1	0.047 kg
4		621.4-060	Lanternring	Stainless Steel, 316	1	0.239 kg
5		DIN7984 M5x12-A4	Hexagon Socket Head Cap screw with low head	Stainless Steel, A4	6	0.020 kg
6		DIN7980_M8-A2	Spring lock washer	Stainless Steel, A2	6	0.007 kg
7		621.5-0.5	Valve TR 412		1	0.031 kg
8		DIN912 M8x40-A4	Hexagon Socket Head Cap screw	Stainless Steel, A4	6	0.140 kg
9		614.1-060	Flange gasket	HD NA bl	1	0.014 kg

Date drawn: 29-1-2014	Not specified tolerances according to ISO2768	This is copyright of AMARTECH and this should not be used, reproduced or modified in any way without prior written permission. © All rights reserved
Date checked: 21-3-2016	Dimensions: mm	
Drawn: Danny	Product code: 621-060	
 Propulsion System Engineers +31(0)184616400 www.amartech.nl	Title: StandbySeal	
	Drawing nr.:	Order nr:
		Rev.: