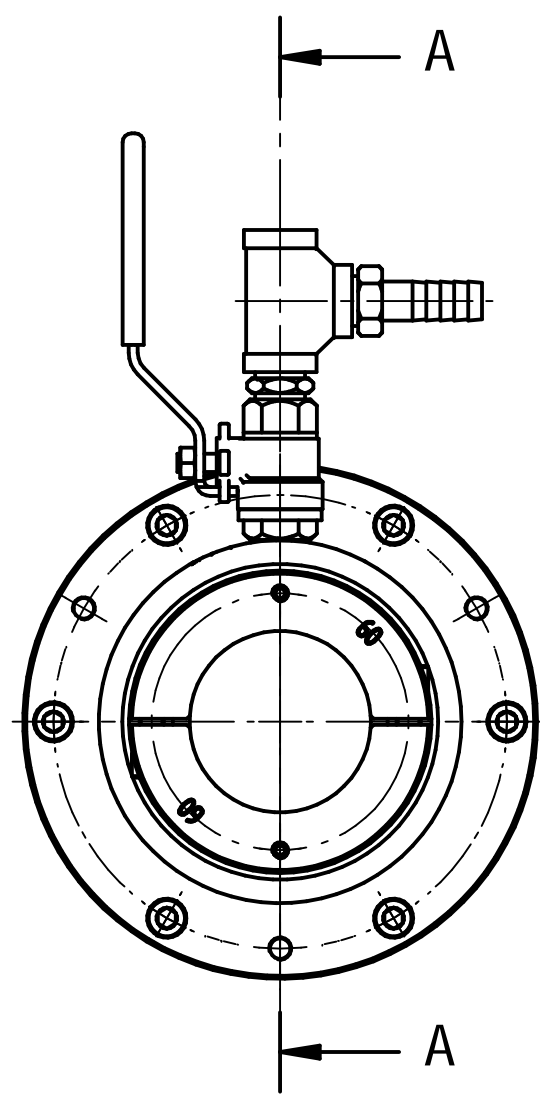
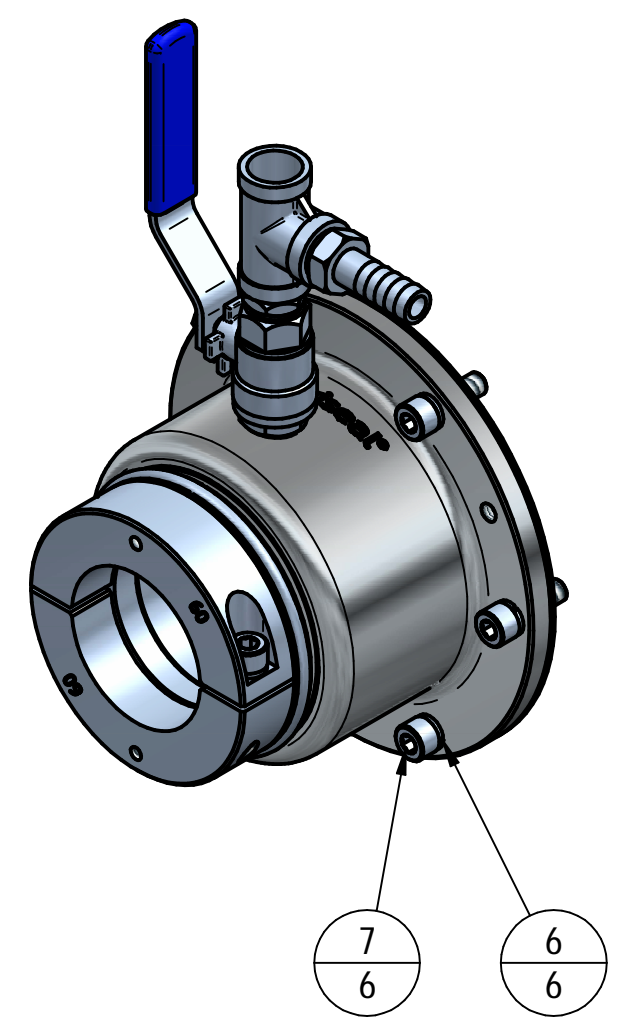
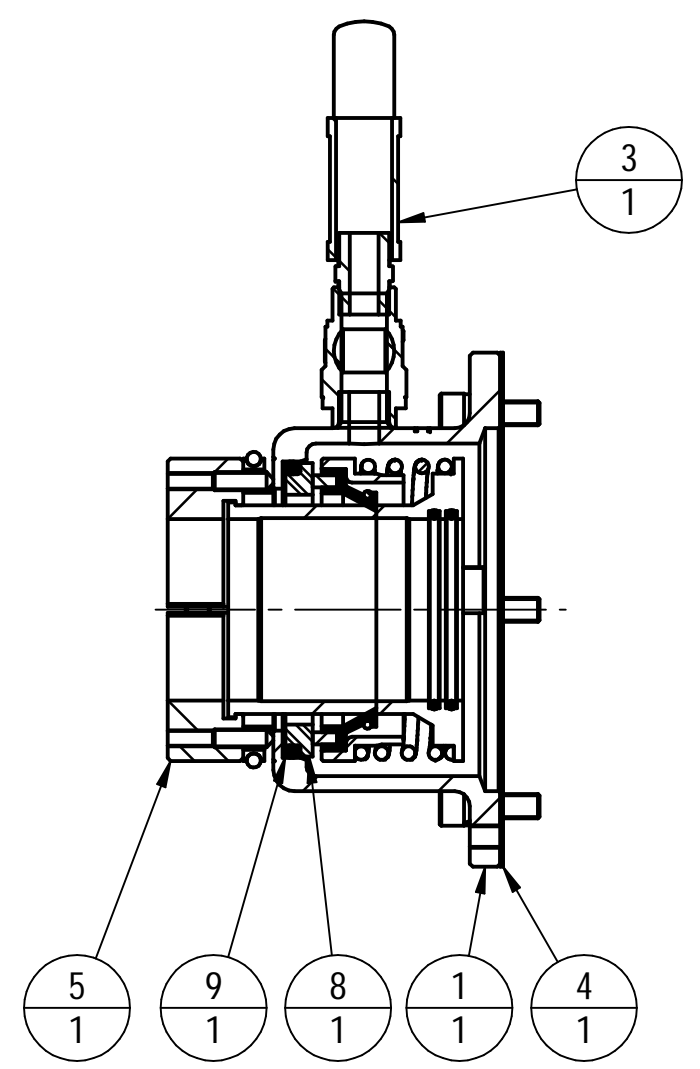



Rev	Description	Date
A	Mod Stat Seat & mat gasket, added O-Ring	16-8-2021



SECTION A-A



Item Nr	Drawing Nr	Product code	Title	Material	Qty.	Mass
1		611.1-060	Housing	Duplex 1.4462	1	2.044 kg
3		613-G0.375	Water supply 0.375"		1	0.361 kg
4		614.1-060	Flange gasket	PTFE	1	0.023 kg
5		612-060	Inner sealing assembly		1	2.220 kg
6	-	DIN7980_M8-A4	Spring lock washer	Stainless Steel, A4	6	0.007 kg
7		DIN912 M8x25-A4	Hexagon Socket Head Cap screw	Stainless Steel, 316 (1.4404)	6	0.104 kg
8		611.2-060	Stationary Seat	Stainless steel Alloy 2507 (1.4410)	1	0.159 kg
9		DIN3771 88x5	O-ring	NBR	1	0.007 kg

Date drawn: 29-1-2014	Not specified tolerances according to ISO2768	This is copyright of AMARTECH and this should not be used, reproduced or modified in any way without prior written permission. © All rights reserved
Date checked: 19-8-2021	Dimensions: mm	
Drawn: Danny	Product code: 610-060	
 Propulsion System Engineers +31(0)184616400 www.amartech.nl	Title: Axiseal	
	Drawing nr.: 610-060	
Order nr:		Rev.: A